

Part 1 - GENERAL

Scope

The framing shall be Metro "M" Series sliding door system as manufactured by Metro Glass. Furnish all materials, labour and services for the complete fabrication, assembly and installation of aluminum sliding doors including all necessary hardware and accessories and/or preparation as required based on the contract or the purchase agreement.

Work Not Included: Structural support for framing, wood liner, interior or exterior closures or trim.
(See Specifiers list of other exclusions.)

Related Work Specified Elsewhere: See Specifier List

Design & Performance

Doors to fully comply with applicable standard specifications as typically referenced to the following requirement criteria: Air and water tightness, wind and other load resistance.

Maintenance and Warranty

Upon request, Metro will provide instructions for proper cleaning and maintenance . Metro Glass Metal Products come with a two year warranty which shall begin from the day the product is shipped or from substantial completion of the installation. The warranty covers materials and workmanship as specified by drawings and customer requirements per contract or purchase agreement.

Part 2 - PRODUCTS

Materials

All materials to meet design and material specifications as applicable. Extruded aluminum shall be 6063 T6 alloy and temper. Any defects impairing strength, durability or appearance are not acceptable.

Fasteners shall be of sufficient size and strength and made of corrosion-resistant and compatible materials.

Glazing gaskets shall be extruded black santoprene designed and sized to perform their intended function.

Fabrication

Frame assembly to provide accurately fit tight hairline joints only. Extruded profiles to be of sizes and profiles indicated in the contract or the purchase agreement. Corner joints shall be secured with concealed brackets that are anchored with bolts and then fully welded.

Finish - Anodized 6063 Material Code Identification

Exposed surfaces shall be finished as specified by customer:

Satin Clear 14 AA-M12C22A41

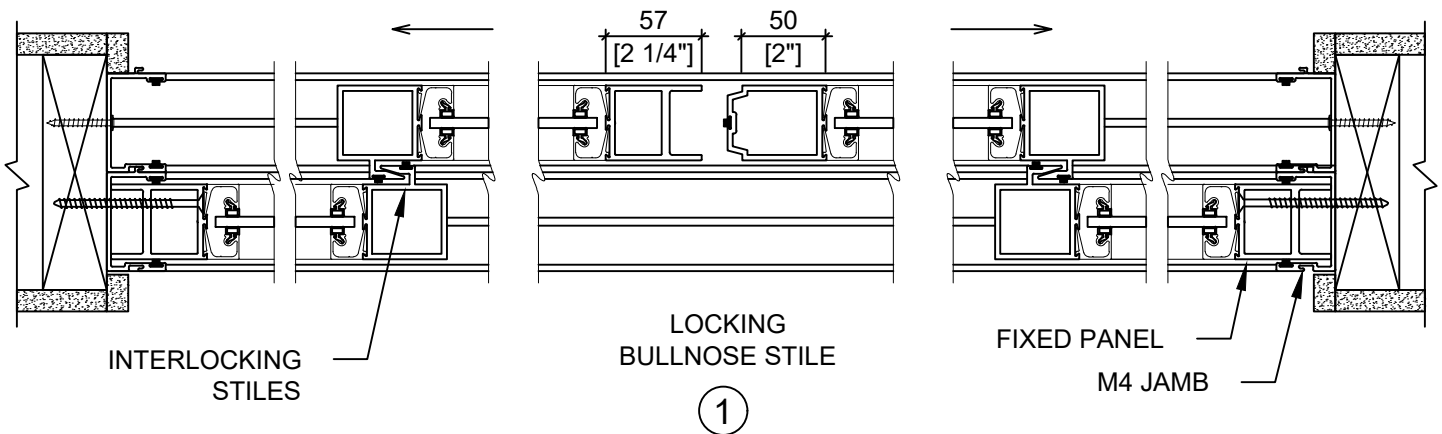
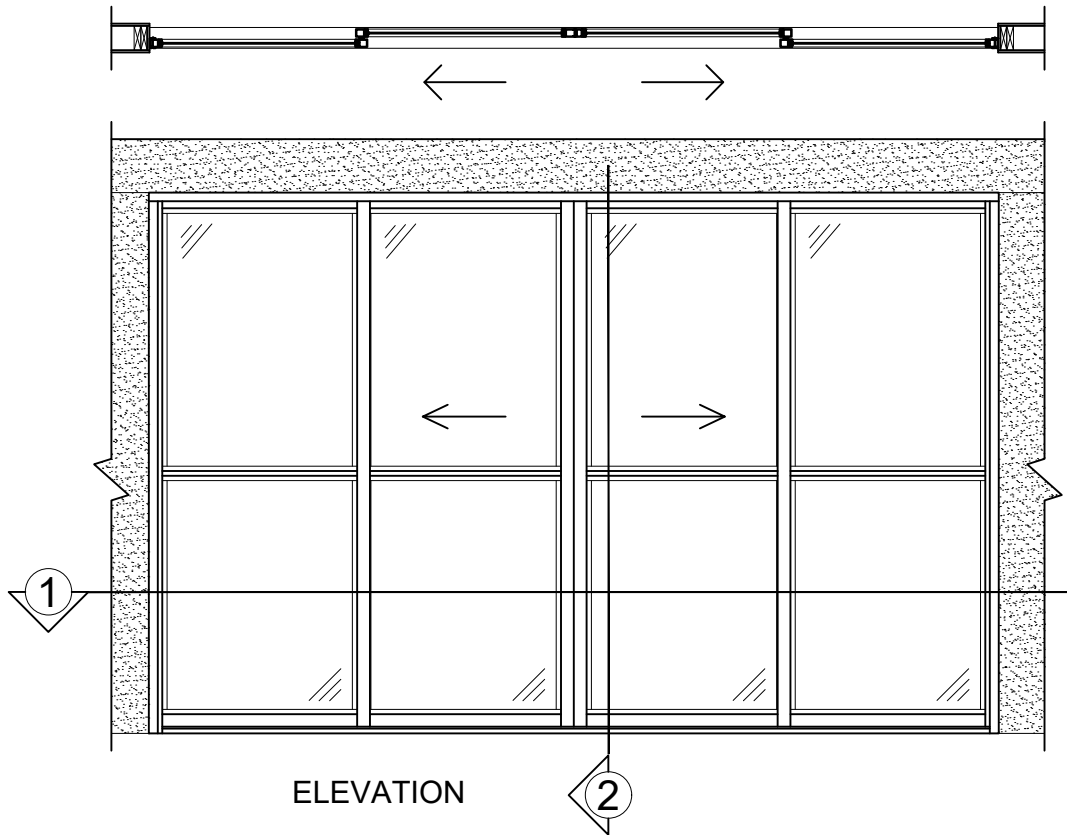
Satin Medium Bronze 30 AA-M12C22A44

Satin Black 29 AA-M12C22A44

Powdercoated and various other finishes (including shades of Bronze) available upon request.

Installation

Framing to be installed plumb, level and square and glazed by an experienced crew in prepared openings in accordance to the manufacturers instructions and approved shop drawings, and as specified by drawings and customer requirements per contract or purchase agreement.



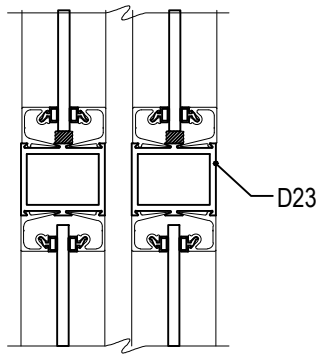
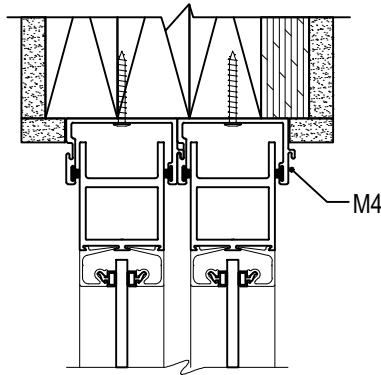
BI-PARTING SLIDING DOOR SYSTEM
(ALSO AVAILABLE WITH SEALED UNIT GLAZING)

More than 50 Years of Manufacturing Innovative Aluminum Doors, Frames, Curtain Walls, Windows and Vents

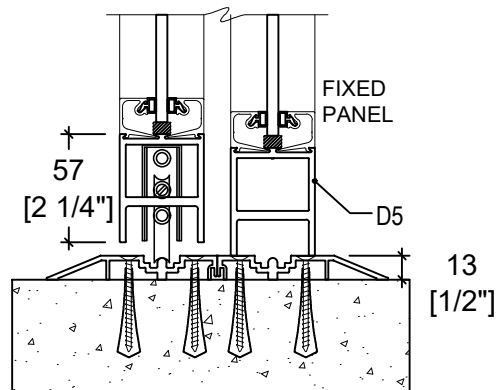
Bay 108 - 1626 115 Ave. N.E. Calgary, Alberta T3K 2E4

Phone: 403-250-9290 Fax: 403-291-0599

www.metroglass.ca



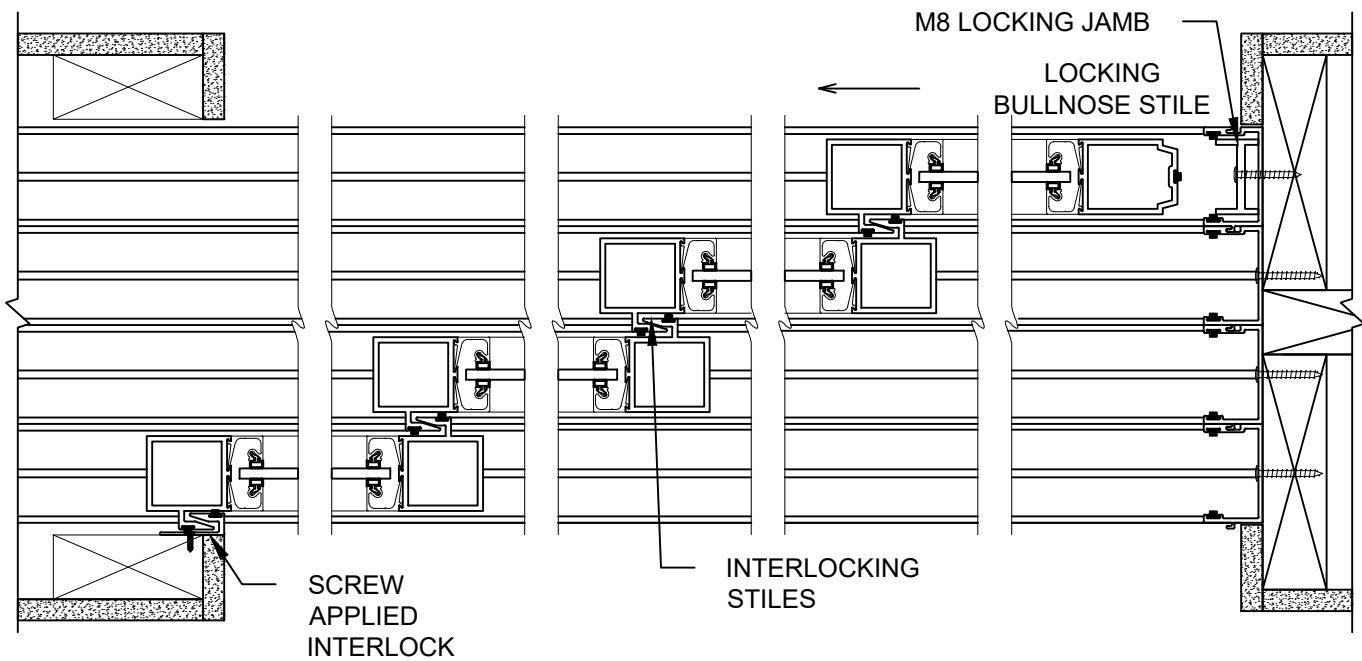
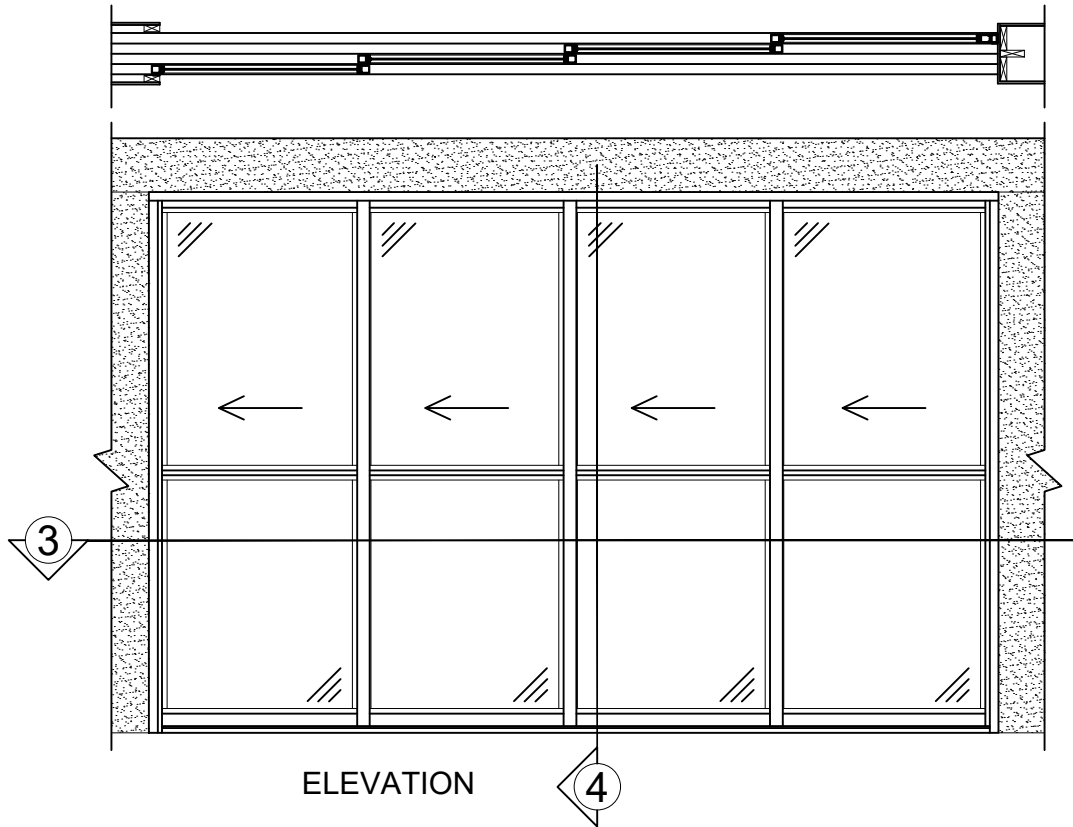
OPTIONAL MIDRAIL
(VARIOUS SIZES AVAILABLE,
VERTICAL OR HORIZONTAL)



②

SURFACE MOUNTED TRACK WITH
FIXED PANEL DETAIL
(1/2" TRACK C/W RAMP SHOWN.
3/4" TRACK ALSO AVAILABLE)

M SERIES MULTI TRACK SLIDING DOOR DETAILS



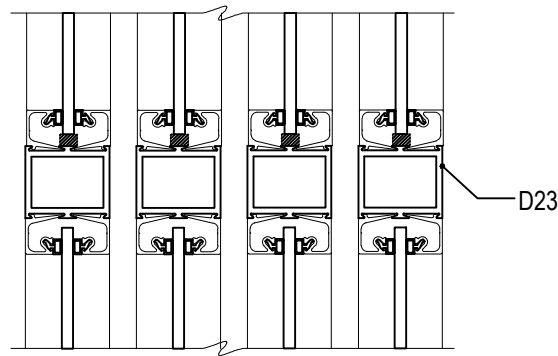
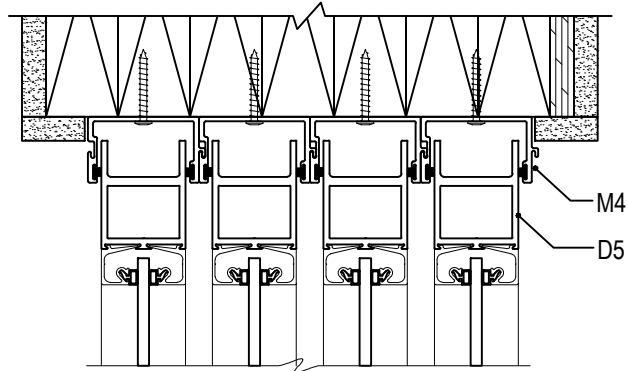
③ MULTI TRACK POCKETED SLIDING DOOR SYSTEM
(ALSO AVAILABLE WITH SEALED UNIT GLAZING)

More than 50 Years of Manufacturing Innovative Aluminum Doors, Frames, Curtain Walls, Windows and Vents

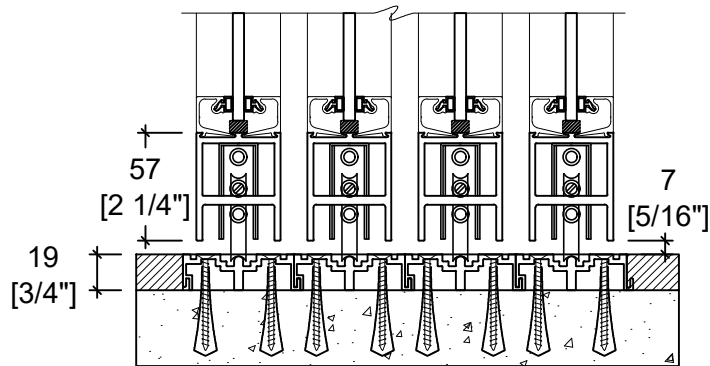
Bay 108 - 1626 115 Ave. N.E. Calgary, Alberta T3K 2E4

Phone: 403-250-9290 Fax: 403-291-0599

www.metroglass.ca



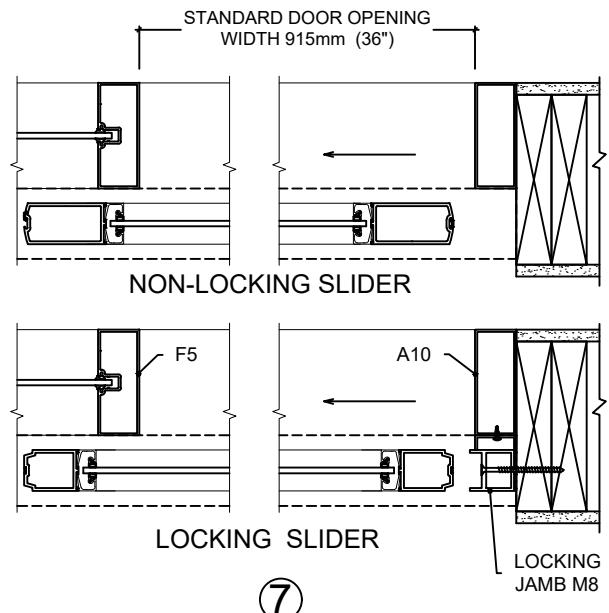
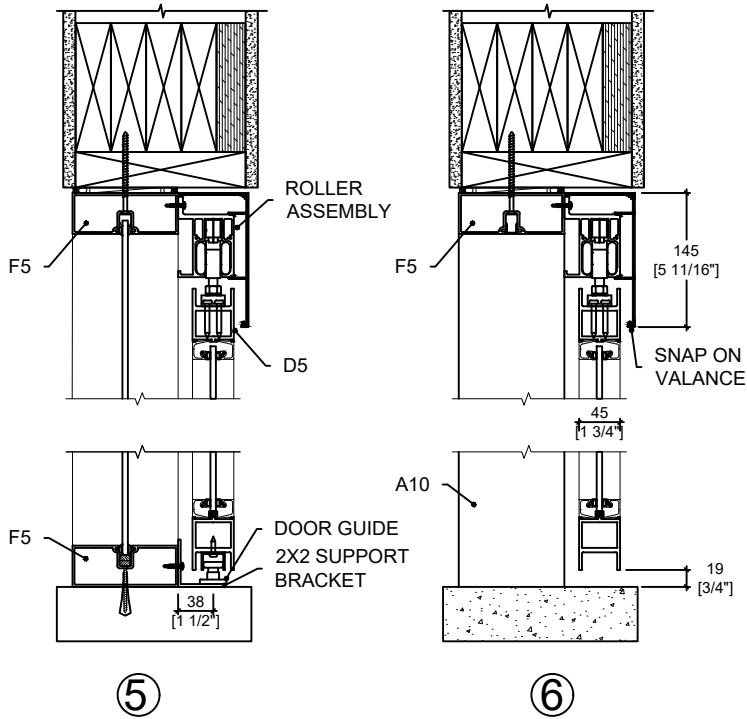
OPTIONAL MIDRAIL
(VARIOUS SIZES AVAILABLE,
VERTICAL OR HORIZONTAL)



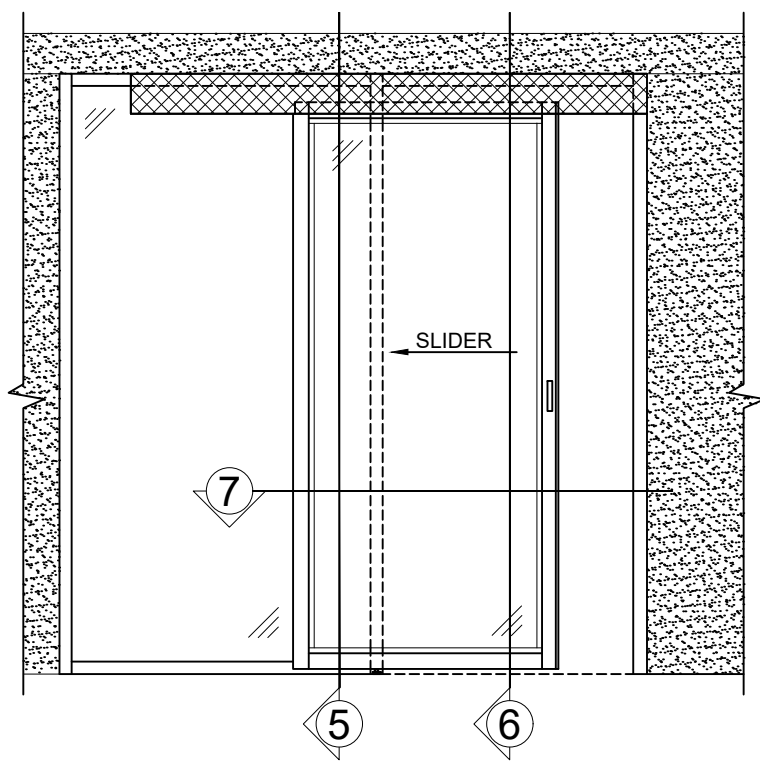
4

ALTERNATE RECESSED TRACK DETAIL
(AVAILABLE IN 1/2" OR 3/4" DEEP
BOTTOM TRACK)

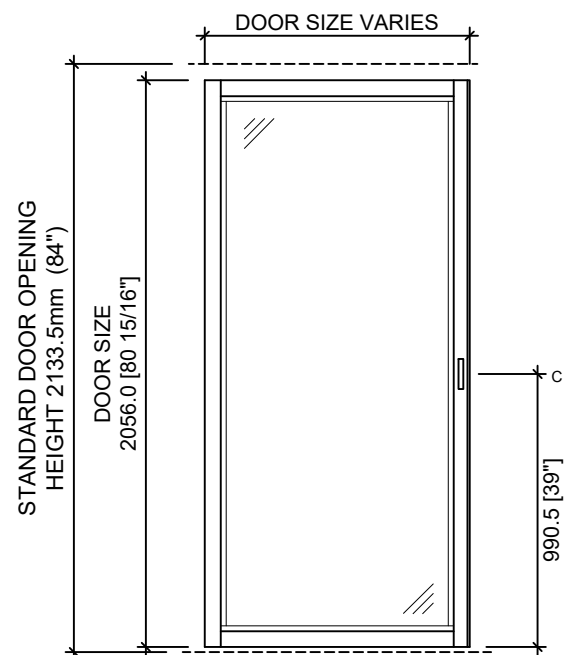
O SERIES TOP HUNG SLIDING DOOR DETAILS



⑦
CATCH N CLOSE
TOP HUNG SLIDING DOOR SYSTEM
(ALSO AVAILABLE WITH SEALED UNIT GLAZING)



ELEVATION

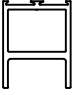


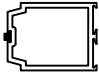
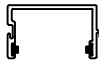


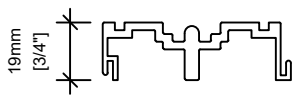
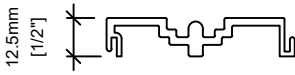





O SERIES DOOR

More than 50 Years of Manufacturing Innovative Aluminum Doors, Frames, Curtain Walls, Windows and Vents

Bay 108 - 1626 115 Ave. N.E. Calgary, Alberta T3K 2E4
Phone: 403-250-9290 Fax: 403-291-0599

www.metroglass.ca

CROSS SECTION	PART #	DESCRIPTION	STOCK LENGTH	CLEAR ANODIZED	BRONZE ANODIZED	BLACK ANODIZED
	D5	2 1/4" DOOR RAIL	4.6 m	✓	✓	✓
	D23	1 1/2" MID RAIL	4.6 m	✓	✓	✓
	M2	LOCKING STILE	4.6 m	✓	✓	✓
	M3	SLIDER BULLNOSE STILE	4.6 m	✓	✓	✓
	M4	TOP SLIDER TRACK AND JAMB	7.315 m	✓	✓	✓
	M6	SCREW APPLIED INTERLOCK	7.315 m	✓	✓	✓
	M8	LOCKING BULLNOSE RECEIVING JAMB	7.315 m	✓	✓	✓
	M7	3/4" BOTTOM SLIDER TRACK	7.315 m	MILL FINISH		
	M9	1/2" BOTTOM SLIDER TRACK	7.315 m	MILL FINISH		
	M10	1/2" BOTTOM SLIDER TRACK C/W RAMP	7.315 m	MILL FINISH		
	AR MS1853A-250	HOOKBOLT DEADLOCK 1-1/8" BACKSET		STEEL TANDEM ROLLER		

More than 50 Years of Manufacturing Innovative Aluminum Doors, Frames, Curtain Walls, Windows and Vents

Bay 108 - 1626 115 Ave. N.E. Calgary, Alberta T3K 2E4

Phone: 403-250-9290 Fax: 403-291-0599

www.metroglass.ca